

# LOAD CELLS

## CLJ-NB Compression Load Cell

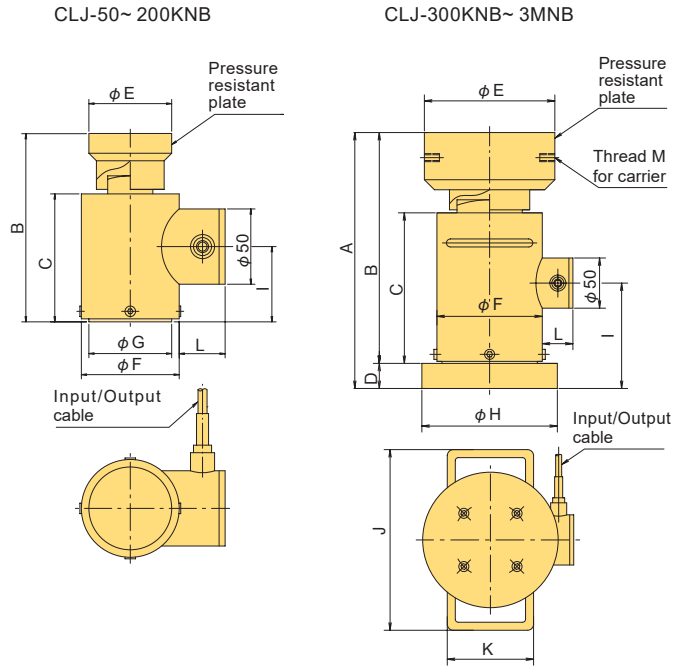
50kN~10MN



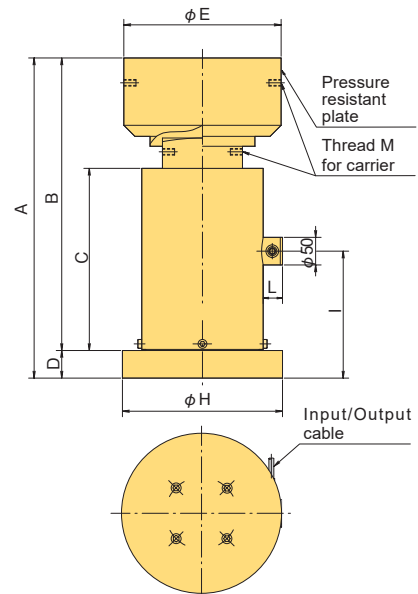
The CLJ-NB is designed considering JIS B 7728 "Calibration of force-proving instruments used for the verification of uniaxial testing machine" and is the most suitable for verification of single axis compression testing machine. Calibration in accordance with JIS B 7728 is available at extra cost.

Protection ratings: IP67 equivalent

**High stability**  
**Remote sensing compatible**



CLJ-5MN, -10MN



### ■ DIMENSIONS

TYPE	A	B	C	D	φE	φF	φG	φH	I	J	K	L	M
CLJ-50KNB	-	110	73	-	40	60	50	-	41	-	-	31	-
CLJ-100KNB	-	110	73	-	40	60	50	-	41	-	-	31	-
CLJ-200KNB	-	125	85	-	55	65	55	-	50	-	-	31	-
CLJ-300KNB	175	160	105	15	80	75	-	80	75	-	-	31	-
CLJ-500KNB	195	180	120	15	90	85	-	95	80	-	-	31	-
CLJ-1MNB	255	230	150	25	130	105	-	135	105	180	86	35	2-M8 DP15
CLJ-2MNB	340	305	200	35	180	130	-	185	145	230	120	35	2-M10 DP18
CLJ-3MNB	420	370	240	50	225	155	-	225	190	255	120	35	2-M12 DP22
CLJ-5MNB	580	530	330	50	285	220	-	290	230	-	-	35	4-M12 DP22
CLJ-10MNB	790	710	425	80	410	270	-	410	325	-	-	35	4-M20 DP30

### ■ SPECIFICATIONS

TYPE	CLJ-50KNB	CLJ-100KNB	CLJ-200KNB	CLJ-300KNB	CLJ-500KNB	CLJ-1MNB	CLJ-2MNB	CLJ-3MNB*	CLJ-5MNB*	CLJ-10MNB*
Capacity	50kN	100kN	200kN	300kN	500kN	1MN	2MN	3MN	5MN	10MN
Rated Output	2mV/V (4000×10 <sup>-6</sup> strain) or more									
Non-linearity	0.05%RO									
Hysteresis	0.05%RO									
Natural frequency	6.1kHz	8.5kHz	8.1kHz	5.5kHz	5.4kHz	4.1kHz	3.0kHz	2.4kHz	1.7kHz	1.3kHz
Temperature effect on zero	0.0005%/°C									
Temperature effect on span	0.0005%/°C									
Compensated temperature range	-10 ~ +60°C									
Allowable temperature range	-20 ~ +70°C									
Over load	150%									
Ultimate overload rating	300%									
Input/Output resistance	350Ω±2%									
Recommended exciting voltage	10V or less									
Allowable exciting voltage	20V									
Zero balance	5%RO									
Weight	2kg	2kg	2.5kg	5kg	7kg	20kg	45kg	85kg	175kg	470kg

Input/Output cable : CLJ-50KNB~ -500KNB φ 6mm 0.08mm<sup>2</sup> 6-core shielded polyurethane cable 5m (Remote-sensing compatible)  
: CLJ-1MNB~ -10MNB φ 9mm 0.3mm<sup>2</sup> 6-core shielded vinyl cable 5m (Remote-sensing compatible)

\*Made-to-order