

CLJ-NA Compression Load Cell

5~30kN

Made-to-order

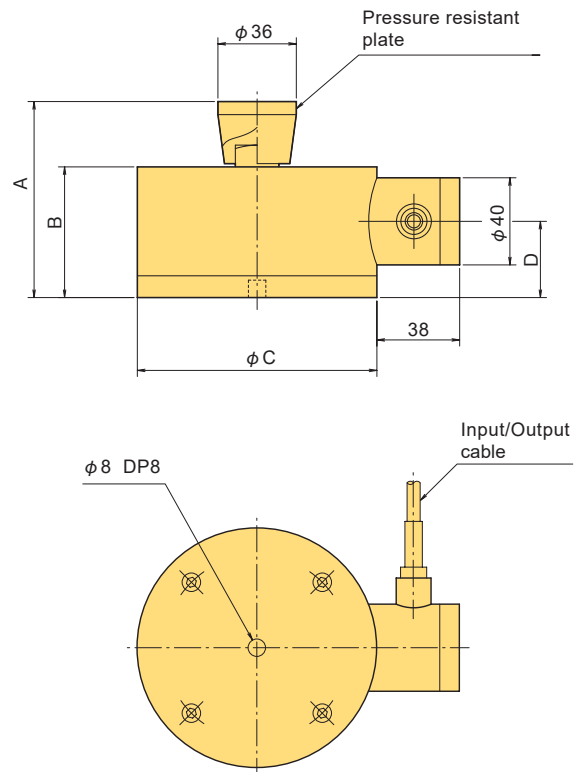


The CLJ-NA is designed considering JIS B 7728 "Calibration of force-proving instruments used for the verification of uniaxial testing machine" and is the most suitable for verification of single axis compression testing machine. Calibration in accordance with JIS B 7728 is available at extra cost.

Protection ratings: IP65 equivalent

High stability

Remote sensing compatible



■ DIMENSIONS

TYPE	A	B	φC	D
CLJ-5KNA	90	60	110	35
CLJ-10KNA	90	60	110	35
CLJ-20KNA	90	60	110	35
CLJ-30KNA	95	65	125	40

■ SPECIFICATIONS

TYPE	CLJ-5KNA	CLJ-10KNA	CLJ-20KNA	CLJ-30KNA
Capacity	5kN	10kN	20kN	30kN
Rated Output	2mV/V (4000×10 ⁻⁶ strain) or more			
Non-linearity	0.05%RO			
Hysteresis	0.05%RO			
Natural frequency	5.6kHz	6.9kHz	8.5kHz	7.7kHz
Temperature effect on zero	0.005%RO/°C			
Temperature effect on span	0.005%/°C			
Compensated temperature range	-10 ~ +60°C			
Allowable temperature range	-30 ~ +80°C			
Over load	150%			
Ultimate overload rating	300%			
Input/Output resistance	350Ω±2%			
Recommended exciting voltage	6V or less			
Allowable exciting voltage	15V			
Zero balance	5%RO			
Weight	4kg	4kg	4kg	6kg

Input/Output cable : φ6mm 0.08mm² 6-core shielded polyurethane cable 5m (Remote-sensing compatible)