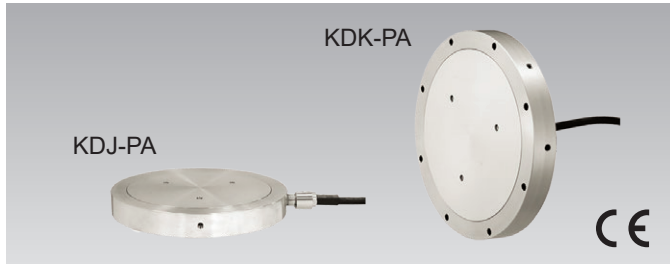


# Soil pressure at construction site

## KDJ-PA/KDK-PA Load Cell type Soil Pressure Gauge

Civil engineering design



The KDJ-PA and KDK-PA are stainless-steel soil pressure gauges each 200 mm in outside diameter. They are load-cell-type soil pressure gauges and designed with a high level of resistance to lateral pressure. The difference between these two models is the way the cable is attached to the gauge body.

Protection ratings: IP68 equivalent

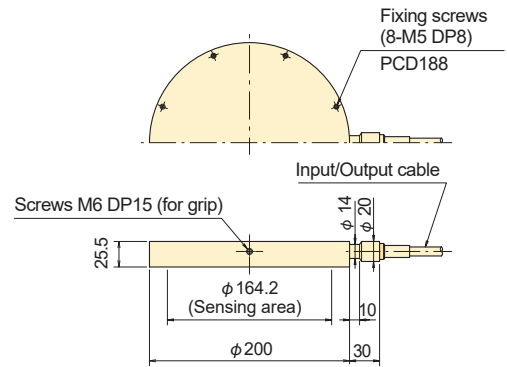
**Made of all stainless steel with excellent corrosion resistance**

**Robuster than the diaphragm type**

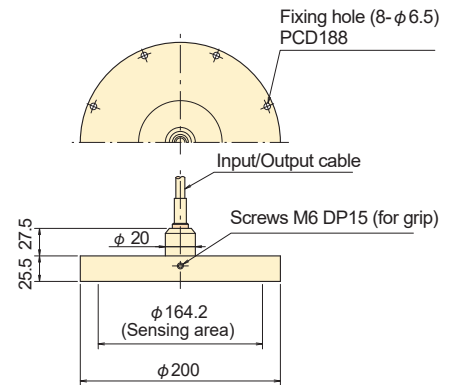
### SPECIFICATIONS

TYPE	KDJ-200KPA KDK-200KPA	KDJ-500KPA KDK-500KPA	KDJ-1MPA KDK-1MPA	KDJ-2MPA KDK-2MPA
Capacity	200kPa	500kPa	1MPa	2MPa
Rated Output	1mV/V(2000×10 <sup>-6</sup> strain)			
Non-linearity	1%RO			
Allowable temperature range	-20 ~ +60°C			
Input/Output resistance	350Ω			
Recommended exciting voltage	3V or less			
Allowable exciting voltage	10V			
Cable drawing direction	KDJ-PA: from side of body		KDK-PA: from back of body	
Weight	5.2 kg			

KDJ-PA



KDK-PA

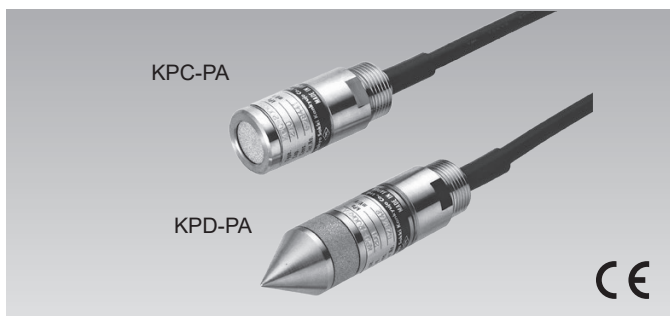


Input/Output cable :  
φ 9mm 0.5mm<sup>2</sup> 4-core shielded chloroprene cable 2m

# Pore water pressure in ground

## KPC-PA/KPD-PA Pore Pressure Gauge

Civil engineering design



These pressure gauges, which are one size smaller than the KPA-PA and KPB-PA, are used to measure pore water pressure in soil, sheet piles, piles and boreholes. The KPC-PA is attached to a pile, a diaphragm wall, a sheet pile, etc., and buried in ground to measure pore water pressure. The KPD-PA is buried in a borehole to measure pore water pressure in bedrock.

Protection ratings: IP68 equivalent

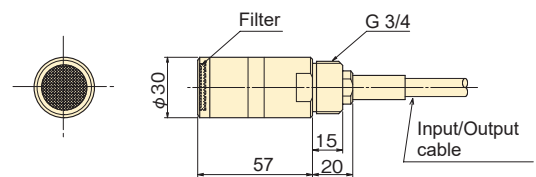
### SPECIFICATIONS

TYPE	KPC-200KPA KPD-200KPA	KPC-500KPA KPD-500KPA	KPC-1MPA KPD-1MPA	KPC-2MPA KPD-2MPA
Capacity	200kPa	500kPa	1MPa	2MPa
Rated output	0.8mV/V (1600×10 <sup>-6</sup> strain)	1mV/V (2000×10 <sup>-6</sup> strain)		
Non-linearity	1.5%RO	1%RO		
Outer diameter	φ 30mm			
Filter mesh	40μm(*)			
Allowable temperature range	0 ~ +60°C (No icing)			
Input/Output resistance	350Ω			
Recommended exciting voltage	3V or less			
Allowable exciting voltage	10V			
Weight	KPC-200KPA ~ KPC-2MPA 250 g		KPD-200KPA ~ KPD-2MPA 350 g	

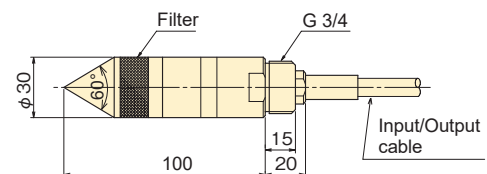
**Dual structure not affected by the outer lateral pressure**

**Made of all stainless steel with excellent corrosion resistance**  
**Small, easy handling**

KPC-PA



KPD-PA



Input/Output cable :  
φ 9mm 0.5mm<sup>2</sup> 4-core shielded chloroprene cable 2m  
\* : Filter mesh with 70μm available on request