

ACCELERATION TRANSDUCERS

ARGL-A-T Small, High response, Low capacity, Tri-axial Acceleration Transducer 100m/s² **NEW**

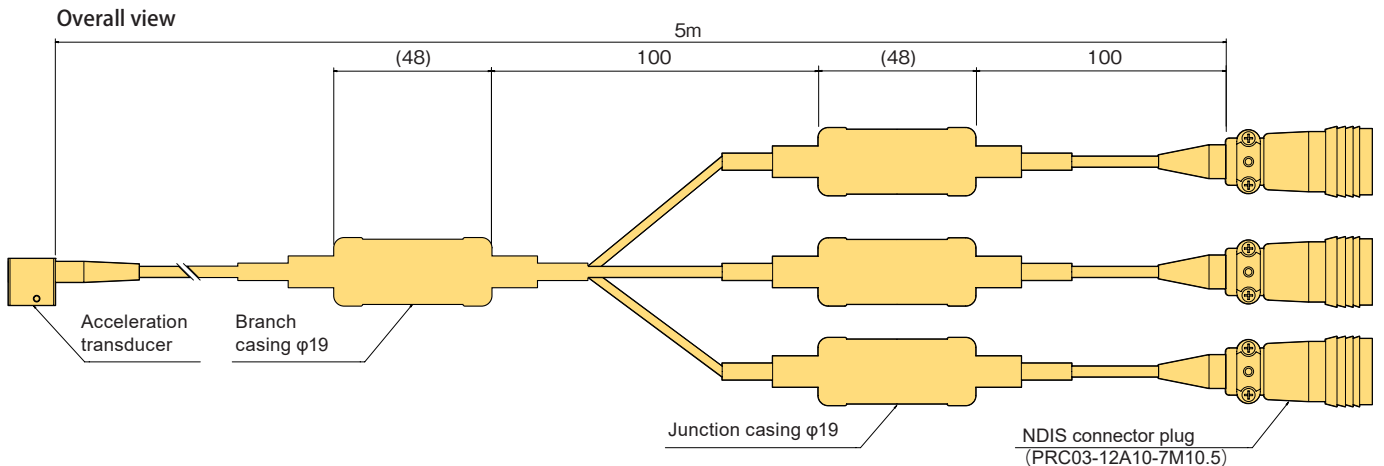
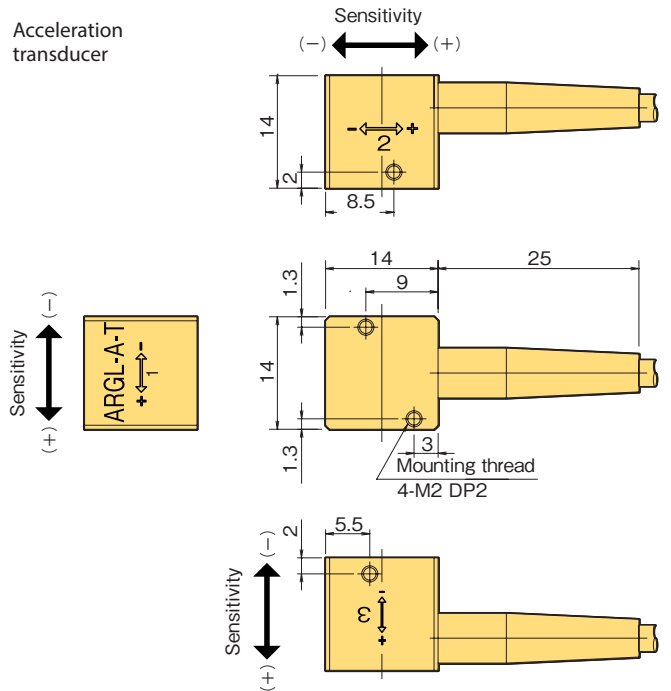


Same shape as single-axis type
Capable of measuring in three directions

The ARGL-A-T is a small and high-response acceleration transducer incorporating a MEMS-based acceleration sensor. Its small, light-weight and robust structure allows the use of this transducer for the measurement in various fields such as machines, vehicles, ships, civil engineering and construction. This transducer can be just connected to our dc-exciting dynamic strain meter and measured without the need of an external power supply.

Protection ratings: IP61 equivalent

Acceleration transducer



SPECIFICATIONS

TYPE	ARGL-100A-T
Number of measurement axis	3-axis
Capacity	100 m/s ² (10.2 G)
Rated output	Equivalent to 800×10 ⁻⁶ strain ±15%
Non-linearity	2%RO
Frequency response range	DC ~ 200 Hz (sensitivity deviation ±5%)
Cross sensitivity	5%RO
Zero balance	Equivalent to 900×10 ⁻⁶ strain ±10%
Allowable temperature range	-10 ~ +60°C
Allowable overload	20000 m/s ²
Allowable exciting voltage	DC 2.0 ~ 3.6 V
Current consumption	15 mA MAX. (DC 2 V)
Weight	Approx. 10 g

Input/Output cable : $\phi 3.2\text{mm}$ 0.08mm² 4-core shielded vinyl cable 5m, NDIS plug attached on the end.

The zero balance is the output at no load and depends on the condition of the measuring instrument.

TMR-321, DC-204R and DC-204Ra accept the use of a remote sensing cable (CR-6184).