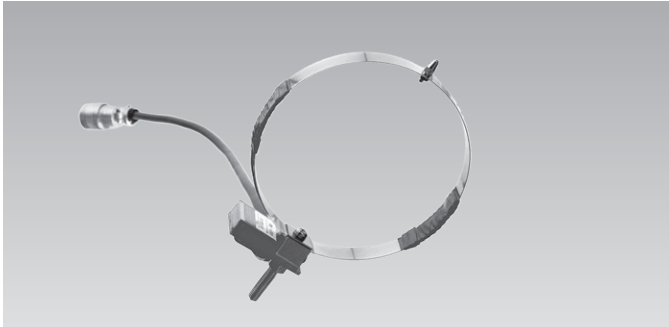


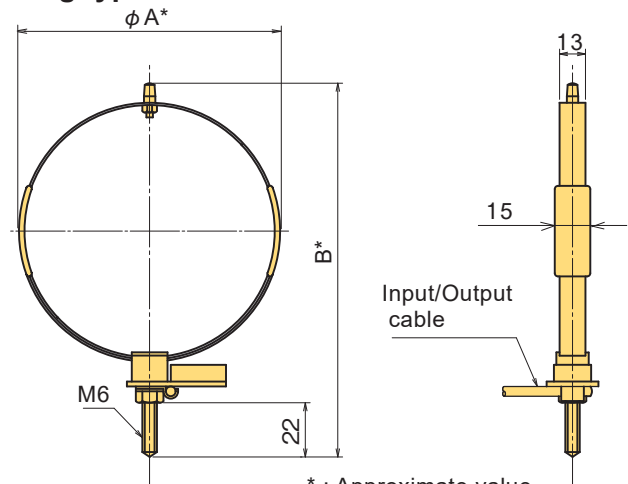
DISPLACEMENT TRANSDUCERS

OU Ring type Displacement Transducer 10~30mm



The OU displacement transducer is a combination of a round plate spring and strain gauges. It is mounted with its contact tip pressed against a structure. When displacement occurs in the structure, the plate spring is deformed and the amount of output proportional to the amount of displacement can be output.

Ring type



* : Approximate value

SPECIFICATIONS

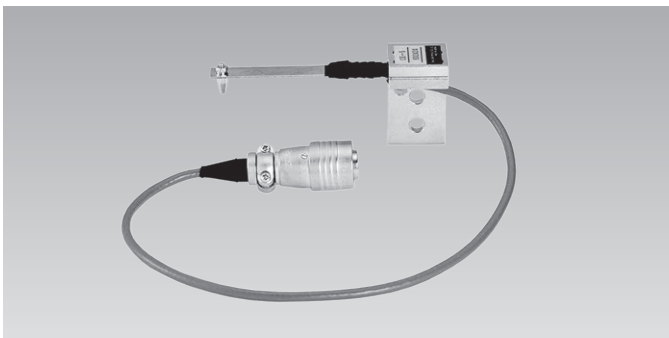
| TYPE | OU-10 | OU-20 | OU-30 |
|--|--------------------------------------|-------|-------|
| Capacity | 10mm | 20mm | 30mm |
| Rated Output | 5mV/V(10000×10 ⁻⁶ strain) | | |
| Sensitivity(x10 ⁻⁶ strain)/mm | 1000 | 500 | 300 |
| Non-linearity | 1%RO | | |
| Spring force | 31N | 25N | 17N |
| Frequency response | 55Hz | 30Hz | 20Hz |
| Allowable temperature range | 0 ~ +40°C | | |
| Input/Output resistance | 350Ω | | |
| Recommended exciting voltage | 2V or less | | |
| Allowable exciting voltage | 10V | | |
| Weight | 60g | 70g | 75g |

Supplied cable : CT6-4V5/NJ-STB (φ6mm 0.3mm² 4-core shielded vinyl cable 5m)

DIMENSIONS

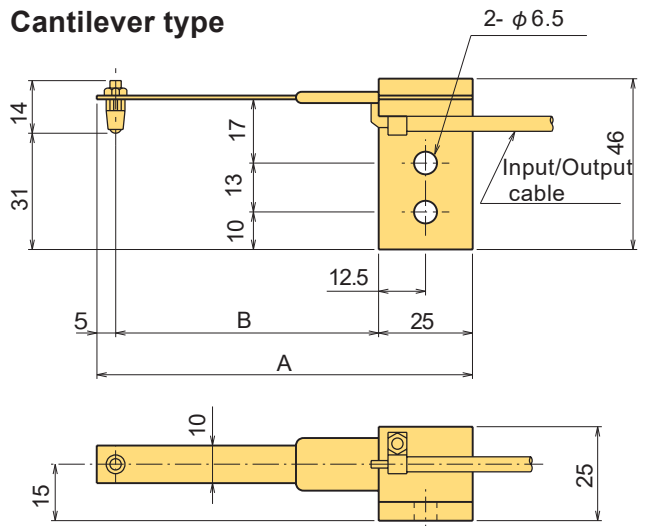
| TYPE | φA | B |
|-------|-----|-----|
| OU-10 | 85 | 130 |
| OU-20 | 115 | 160 |
| OU-30 | 155 | 200 |

CE Cantilever type Displacement Transducer 2~10mm



The CE displacement transducer has the structure of strain gage mounted on a cantilever. The high responsiveness to displacement and the simple structure allows this transducer to make accurate and stable measurement and to be installed in a confined space.

Cantilever type



SPECIFICATIONS

| TYPE | CE-2 | CE-5 | CE-10 |
|--|---------------------------------------|------|-------|
| Capacity | 2mm | 5mm | 10mm |
| Rated Output | 2.5mV/V(5000×10 ⁻⁶ strain) | | |
| Sensitivity(x10 ⁻⁶ strain)/mm | 2500 | 1000 | 500 |
| Non-linearity | 1%RO | | |
| Spring force | 7.1N | 4.7N | 3.2N |
| Frequency response | 110Hz | 45Hz | 25Hz |
| Allowable temperature range | 0 ~ +40°C | | |
| Input/Output resistance | 350Ω | | |
| Recommended exciting voltage | 2V or less | | |
| Allowable exciting voltage | 10V | | |
| Weight | 90g | 90g | 95g |

Supplied cable : CT6-4V5/NJ-STB (φ6mm 0.3mm² 4-core shielded vinyl cable 5m)

DIMENSIONS

| TYPE | A | B |
|-------|-----|-----|
| CE-2 | 75 | 45 |
| CE-5 | 100 | 70 |
| CE-10 | 130 | 100 |