

LOAD CELLS

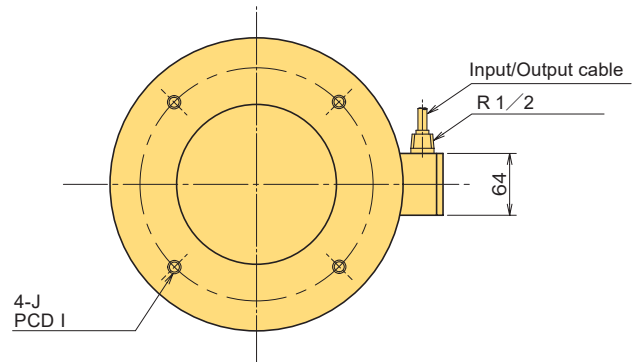
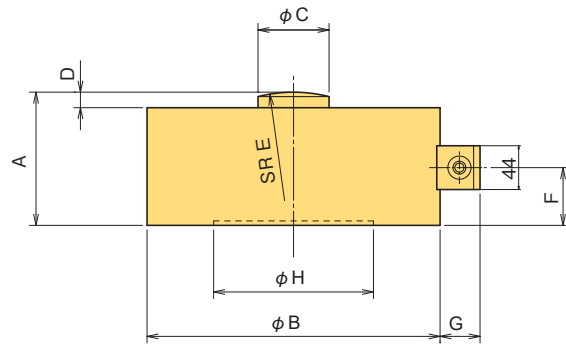
CLM-NB Compression Load Cell 10kN~500kN



The CLM-NB is an inert-gas encased load cell in a hermetically sealed package. It offers high precision, high output characteristics and excellent consistency because it uses a shear beam for the strain sensing element. This model is widely used in applications like test equipment.

Protection ratings: IP65 equivalent

High precision
Inert gas hermetically sealed



■ DIMENSIONS

TYPE	A	φB	φC	D	E	F	G	φH	I	J
CLM-10KNB	60	98	22	5	60	27.5	31	64	80	M8 DP10
CLM-20KNB	60	98	22	5	60	27.5	31	64	80	M8 DP10
CLM-50KNB	60	98	22	5	60	27.5	31	64	80	M8 DP10
CLM-100KNB	70	118	24	5	80	32.5	34	68	90	M8 DP10
CLM-200KNB	90	157	34	10	100	40	37	86	120	M8 DP15
CLM-500KNB	110	187	50	10	140	50	38	110	150	M8 DP15

■ FITTING ACCESSORY

TYPE	Spherical Cap FA	Mounting Flange FB	Slide Support FC
CLM-10KNB~50KNB	FA-60	FB-5-80	FC-5-60
CLM-100KNB	FA-80	FB-10-90	FC-20-80
CLM-200KNB	FA-100	FB-20-120	FC-20-100
CLM-500KNB	FA-140	FB-50-150	FC-50-140

Refer to pages 35~38 for load cell fitting accessories.

■ SPECIFICATIONS

TYPE	CLM-10KNB	CLM-20KNB	CLM-50KNB	CLM-100KNB	CLM-200KNB	CLM-500KNB
Capacity	10kN	20kN	50kN	100kN	200kN	500kN
Rated Output	2.5mV/V (5000×10 ⁻⁶ strain) ±0.2%					
Non-linearity	0.03%RO					
Hysteresis	0.03%RO					
Natural frequency	5.3kHz	7.1kHz	10kHz	12kHz	7.5kHz	7.5kHz
Temperature effect on zero	0.002%/RO/°C					
Temperature effect on span	0.002%/°C					
Compensated temperature range	-10 ~ +60°C					
Allowable temperature range	-30 ~ +80°C					
Over load	150%					
Input/Output resistance	350Ω±1%					
Recommended exciting voltage	10V or less					
Allowable exciting voltage	20V					
Zero balance	5%RO					
Weight	2.5kg	2.5kg	3kg	5kg	11kg	18kg

Input/Output cable : φ9mm 0.5mm² 4-core shielded chloroprene cable 5m