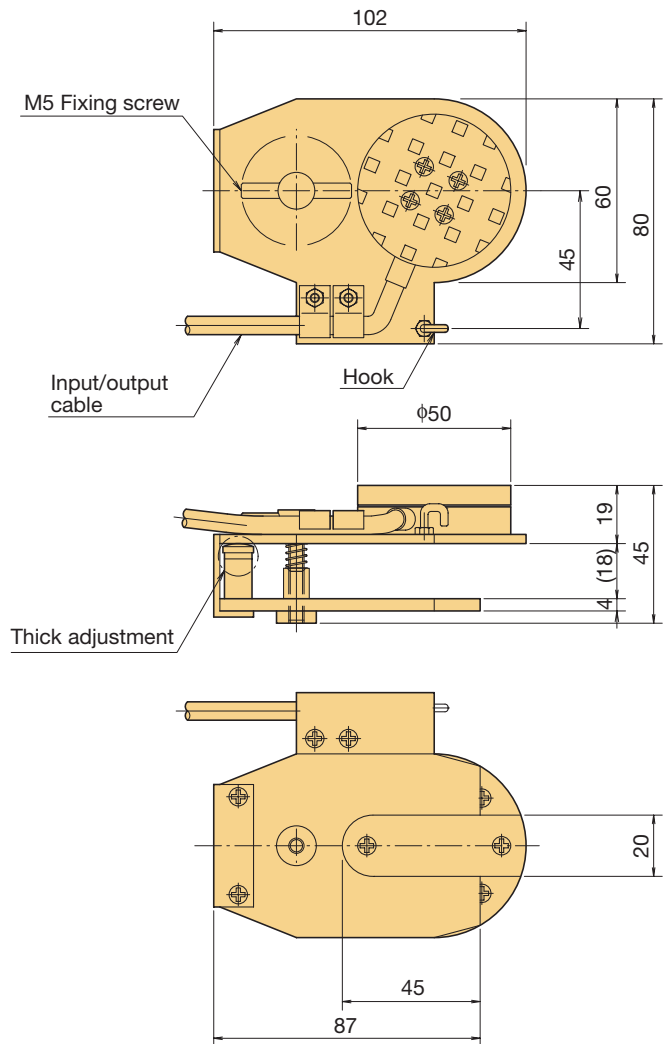


Pedal Force Transducer MLA-NA



Unit: mm

The Pedal Force Transducer, which is a load cell to measure the pressure applied to the passenger car's brake pedal, can be installed easily without modifying the pedal. Cables do not break easily even when handled roughly.

Protection ratings : IP 51 equivalent

Specifications

	MLA-1KNA
Capacity	1kN
Rated output	1mV/V (2000 x 10 ⁻⁶ strain) ±10%
Non-linearity	0.3%RO
Hysteresis	0.3%RO
Temperature effect on zero	0.1%RO/°C
Temperature effect on span	0.05%/°C
Compensated temperature range	-10 ~ +60 °C
Temperature range	-10 ~ +60 °C
Over load	150%
Input/output resistance	350Ω±1%
Recommended exciting voltage	5V or less
Allowable exciting voltage	10V
Zero balance	10%RO
Input/Output cable	φ6mm 0.08mm ² 4-core shielded polyurethane cable 4m
Weight	250 g.